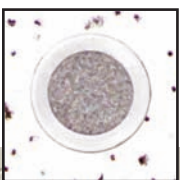




Ceiling Microphone **CTG CM-01**



The CTG ceiling microphone utilizes a special pressure sensitive, tensionless low-mass element enhanced with an integrated FET low noise preamplifier. These characteristics result in ultra smooth frequency response providing excellent feedback stability for voice reinforcement and teleconferencing applications. The high temperature stability assures exceptional system performance in fixed gain situations. **The CM-01 ceiling microphone is fully shielded and filtered to prevent interference from GSM, PDA's and other wireless devices.**



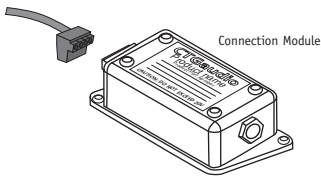
Actual size



Applications/Benefits

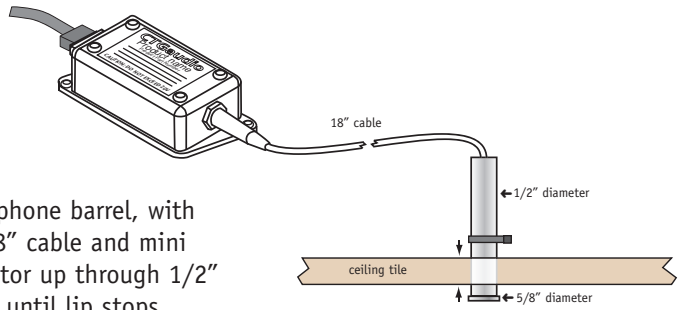
- Group teleconferencing for:
Conference rooms and Boardrooms
Classrooms/Training rooms
- Focus groups/Observation rooms
- Ideal for rooms with perimeter seating (no need to walk up to table to be heard)
- Allows furniture to be rearranged with no compromise to the audio system
- Provides even pick up for the maximum number of participants with the minimum number of microphones
- Provides clean clutter free environment – no visible cables
- Virtually invisible – flush mounted in the ceiling, visible portion smaller than a dime
- Minimizes unwanted table noise such as paper shuffling, pen clicking and laptop key strokes
- Participants can turn their backs to the table, walk around and still be heard evenly
- Security surveillance:
Audio monitoring in an unobtrusive manner

Mounting Detail



1

Wire euro connector to end of cable run and plug into connection module. (Each microphone comes with a connection module permitting up to 450' cable runs back to the control console.)

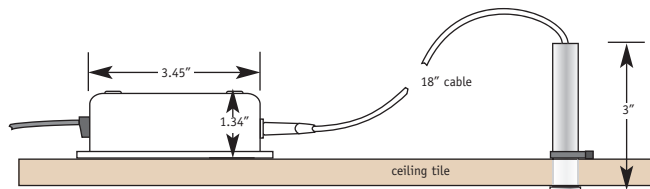


2

Push microphone barrel, with attached 18" cable and mini XLR connector up through 1/2" hole in tile until lip stops against tile. Secure on top of tile with friction clip.

3

Plug mini XLR connector at end of 18" cable into male jack on connection module. Rest connection module on top of tile.



Specifications

Element	Electret Condenser
Frequency Range	10-20,000 Hz
Phantom Voltage	2-50 Volts DC
Acoustical Mode	Boundary Effect Pressure Transducer
Temperature Stability	+/- 0.02 dB per degree F maximum
Operating Current	30 μ A typical - 50 μ A maximum
Impedance	200 Ohms nominal, balanced after connection module
Output Level ref 1mW/10dynes/cm ²	-57 dBm (-51 dBm when mounted)
Equivalent Noise level A weighted	28 dB SPL (-22 dB SPL when mounted)
Equivalent Vibration Sensitivity	70db (1 KHz SPL equivalent of 1G)
Recommended Room Conditions	Reverberation Time: < 0.6 seconds
	Noise Level: < 48dBa

CTGaudio

Business and Sales Office
 2100 Constitution Blvd. STE 115
 Sarasota, FL 34231
 941.922.2322 phone
 941.922.5445 fax
 www.ctgaudio.com web

Engineering and Technical Support
 3740 Kori Road, Unit 2
 Jacksonville, FL 32257
 904.880.5125 phone
 904.880.5104 fax
 75.148.66.189 video IP